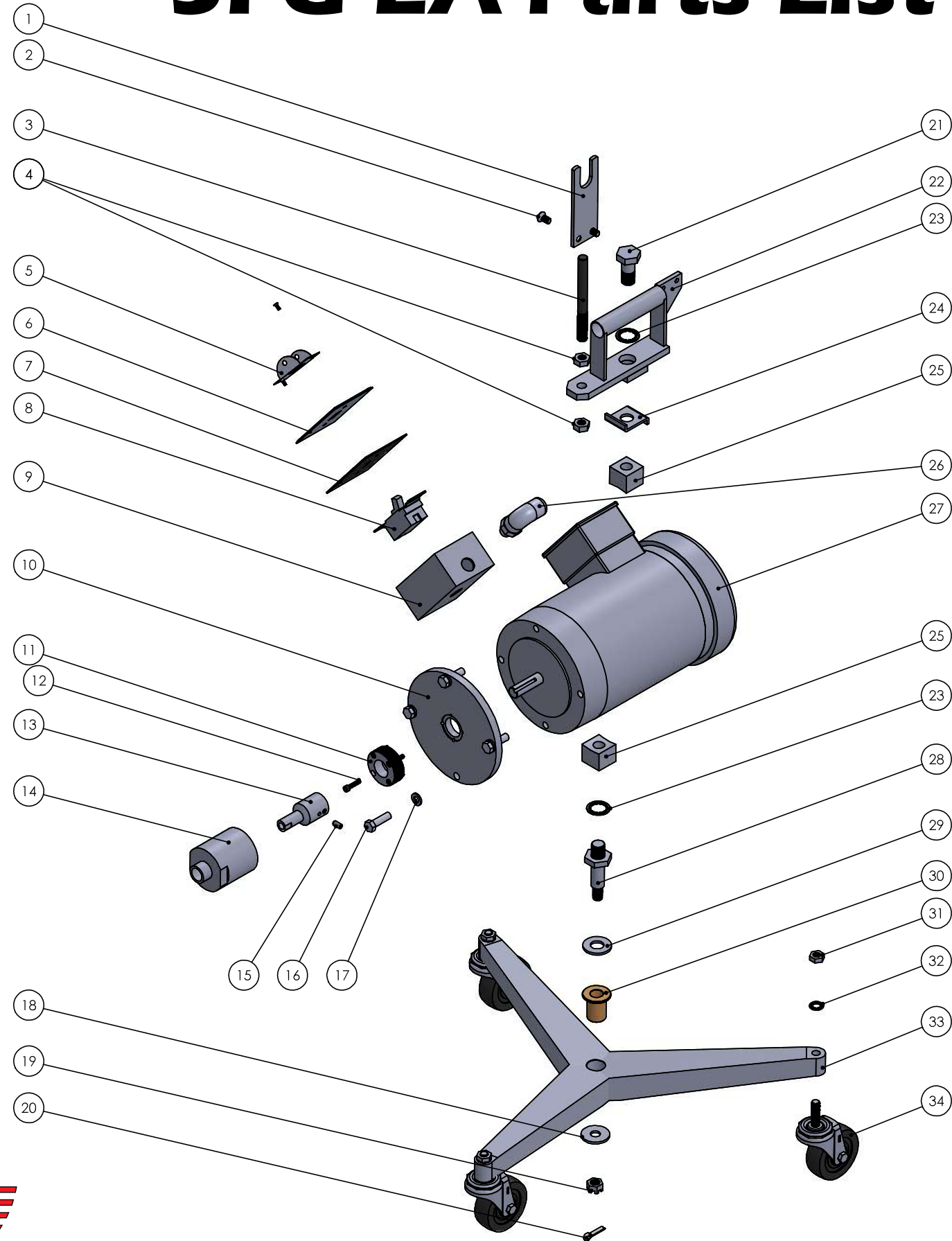




5FG-EA Parts List



ITEM NO.	PART NUMBER	DESCRIPTION	QTY.
1	001775	WRENCH, STAND, MOTOR	1
2	100687A	FLAT HD SCREW 5/16-18 X 5/8" LG	2
3	009575	SPINDLE STUD	1
4	9103144	1/2-20 JAM NUT	2
5	002710	TOGGLE PROTECTOR	1
6	FS 025-PLATE	SWITCH PLATE	1
7	002709	RUBBER GASKET,3EG-EA,6EG-EA,ON-OFF	1
8	FS 025-3PH	ON-OFF SWITCH, 3 PHASE	1
9	FS 025-BOX	SWITCH BOX	1
10	FS 106A	END BELL ADAPTOR	1
11	FS 054A	THREADED ADAPTOR	1
12	AH 029	#10-32 X 7/8 LG SOCKETHEAD CAPSCREW	4
13	FS 115	MOTOR SHAFT ADAPTOR	1
14	FS 116	FLEX HOUSING CONNECTOR	1
15	T3007	1/4-20 X 1/2 LG SOCKET SET SCREW	2
16	T1025	3/8-16 X 1-1/4 LG HEX HEAD CAPSCREW	4
17	T1022	3/8 MEDIUM LOCKWASHER	4
18	000111	1/2 WROUGHT WASHER	1
19	103164	NUT, HEX, SLOTTED 1/2-13	1
20	T2082	COTTER PIN 3/32 X 1	1
21	012993	BOLT, HANDLE	1
22	016153	HANDLE	1
23	103274	3/4 INTERNAL LOCKWASHER	2
24	016154	ADAPTOR	1
25	008799A	MOUNTING SPUD	2
26	X-80	90 DEG. CORD CONNECTOR	1
27	FS 117	2 HP - 3 PHASE MOTOR, 5FG EA	1
28	005610	STUD, SWIVEL	1
29	000112	5/8" FLAT CUT WASHER	1
30	003576	FLANGE BEARING FOR 3577A TRIPOD	1
31	103103	NUT, HEX, JAM 7/16-14	3
32	103270	LOCKWASHER, INTERNAL 7/16"	3
33	003577A	LOW CASTER BASE	1
34	012821	CASTER	3
	LW 066	20 AMP MALE PLUG	1



Terrco[®] Inc.
 222 1st Avenue NW • Watertown, SD 57201
 Phone: (605) 882-3888 • Fax: (605) 882-0778
 Website: www.terrco.com • Email: info@terrco.com